

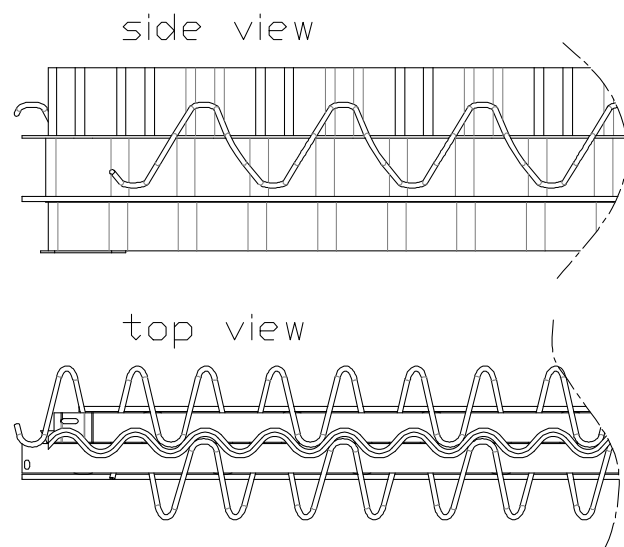
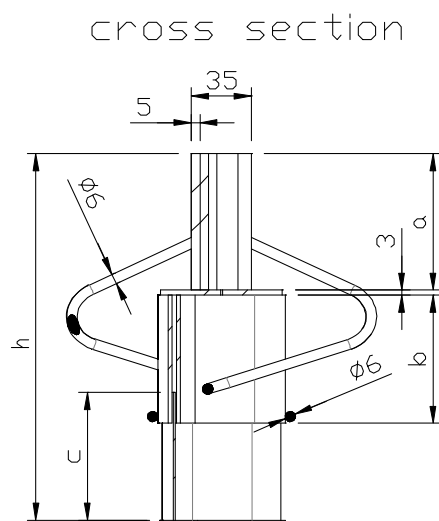
Cosinus Slide®



STEEL QUALITY	EN 10025-2:2004 - S235JR, cold drawn NBN A 24-302 - BE 500 TS EN 10111:2008 - DD14
MATERIAL THICKNESS	2 x 5 mm (13/64") upper Sinus waves Horizontal plates 2 x 35 x 3 mm (5/64") 2 x 2 mm (5/64") bottom Cosinus waves
HEIGHT ADAPTATION	Adjustable steel plate 1 x 1,5 mm (1/16")
PROFILE LENGTH	2,60 m (+ 5 mm / - 10 mm) (8.53 ft +13/64" / - 25/64")
JOINT OPENING	Optimal and recommended up to 15 mm (19/32"), load transfer possible up to 25 mm (1")
ANCHORAGE	Patented, specially 3D formed rebar \varnothing 6 mm (15/64") as continuous anchorage
VERSIONS	Natural steel Galvanized Stainless steel AISI 304 or AISI 316

Profile type	Slab thickness h [mm] [inch]	Sinus a [mm] [inch]	Cosinus b [mm] [inch]	Adjust. plate c [mm] [inch]	Weight [kg/m] [lbs/ft]	Weight [kg/pc.] [lbs/pc.]	Quantity [pcs./pal.]	Quantity [m/pal.] [ft/pal.]	Gross weight [kg/pal.] [lbs/pal.]
115/150x5	115 - 150 (4 1/2 - 5 29/32)	60 (2 23/64)	50 (2)	50 (2)	11,92 (8.01)	30,99 (68.33)	56	145,6 (477.7)	1790 (3947)
160/215x5	160 - 215 (6 3/8 - 8 1/2)	80 (3 5/32)	75 (3)	75 (3)	15,16 (10.19)	39,42 (86.92)	48	124,8 (409.5)	1950 (4300)
205/300x5	205 - 300 (8 5/64 - 11 13/16)	80 (3 5/32)	120 (4 3/4)	120 (4 3/4)	17,60 (11.83)	45,76 (100.90)	28	72,8 (238.8)	1340 (2955)

For further information with regards to the installation, please consult the Cosinus Slide® installation guide. For calculations, validations and optimal use of the joints for your respective projects, please contact your local dealer or send a request to info@hcjoints.be.



Document issued February 2020. Hengelhoef Concrete Joints nv. reserves the right to alter the products without notice.
©COPYRIGHT 2020 by Hengelhoef Concrete Joints nv.



HENGELHOEF
CONCRETE JOINTS

Hengelhoefstraat 158, Poort Genk 0420, B-3600 Genk
T. +32 (0)89 32 39 80 · F. +32 (0)89 32 39 88
E. info@hcjoints.be

www.hcjoints.be